

## Válvula esférica - 2 o 3 vías

**M**

18

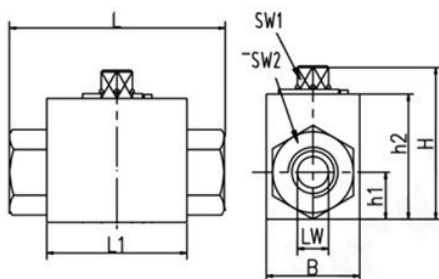
### 2 vías

Tabla 1

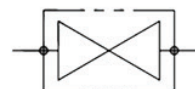
Modelo	Presión nominal (Bar)	DN (mm)	LW	L	L1	B	H	h1	h2	SW1	SW2
KHB-G1/8	500	4	G1/8	69	40	25	45	14	33	9	22
KHB-G1/4	500	6	G1/4	69	40	25	45	14	33	9	22
KHB-G3/8	500	10	G3/8	72	42	32	49	16	36	9	27
KHB-G1/2	500	13	G1/2	83	47	35	49	18	38	9	30
KHB-G1/2	400	16	G1/2	83	48	38	61	19	45	9	32
KHB-G3/4	315	20	G3/4	95	60	48	70	25	55	12	41
KHB-G1	315	25	G1	113	65	57	79	29	64	12	50
KHB-G1 1/4	315	32	G1 1/4	110	84	75	101	38	84	14	60
KHB-G1 1/2	315	40	G1 1/2	130	91	85	112	43	95	14	70
KHB-G2	315	50	G2	140	100	104	131	52	113	14	90



#### Dimensiones



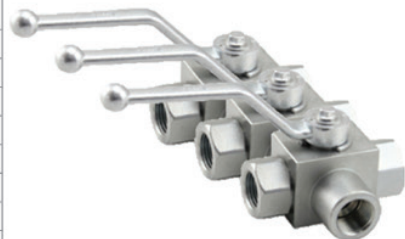
#### Simbología



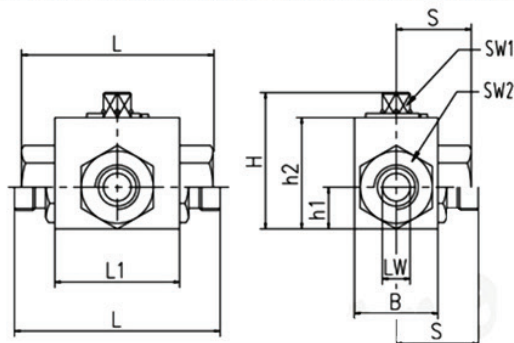
### 3 vías

Tabla 1

Modelo	Presión nominal (Bar)	DN (mm)	LW	d1	I	L	L1	B	H	h1	h2	SW1	SW2	S
KHB3K-G1/8	500	4	6	G1/8	14	69	40	25	45	14	33	9	22	34.5
KHB3K-G1/4	500	6	6	G1/4	14	69	40	25	45	14	33	9	22	34.5
KHB3K-G3/8	500	10	10	G3/8	14	72	42	32	49	16	36	9	27	36
KHB3K-G1/2	500	13	12	G1/2	14	83	47	35	49	18	38	9	30	40
KHB3K-G1/2	400	16	15	G1/2	16	83	48	38	61	19	45	9	32	42
KHB3K-G3/4	315	20	20	G3/4	18	95	60	48	70	25	55	12	41	49
KHB3K-G1	315	25	25	G1	21	113	65	57	79	29	64	12	50	56.5
KHB3K-G1 1/4	315	32	32	G1 1/4	22	110	84	75	101	38	84	14	60	62.5
KHB3K-G1 1/2	315	40	38	G1 1/2	24	130	91	85	112	43	95	14	70	61
KHB3K-G2	315	50	48	G2	26	140	100	104	131	52	113	14	90	66



#### Dimensiones



#### Simbología

