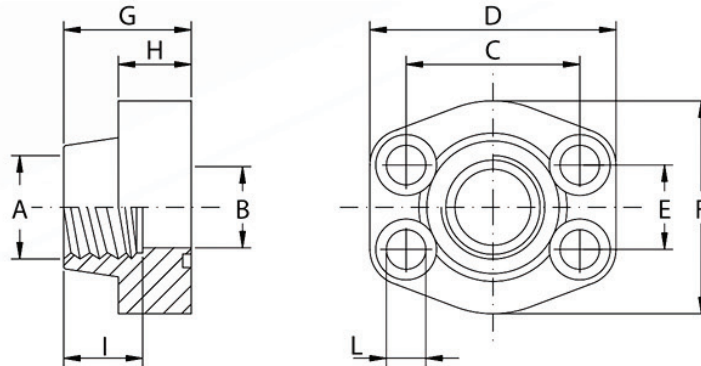


## Brida SAE para roscar BSP serie 3000, 6000



B

3

Presión máxima Kg/cm <sup>2</sup>	Medida SAE	Tipo Serie	Dimensiones (mm)								M (Tornillo)		Tipo	Peso (Kg)
			A BSPP	C	D	E	F	H	L	Métrica	UNC			
										3000				
300	1"	AFC102G034	3/4"	52,37	70	26,19	60	19	11	M 10x35	3/8 x 1 1/2"	2 - 219	0,42	
300	1"	AFC102G	1"	52,37	70	26,19	60	19	11	M 10x35	3/8 x 1 1/2"	2 - 219	0,42	
276	1 1/4"	AFC104G100	1"	58,72	79	30,18	68	19	11,5	M 10x40	7/16 x 1 3/4"	2 - 222	0,55	
276	1 1/4"	AFC104G	1 1/4"	58,72	79	30,18	68	19	11,5	M 10x40	7/16 x 1 3/4"	2 - 222	0,55	
207	1 1/2"	AFC106G114	1 1/4"	69,85	93	35,71	78	19	13,5	M 12x45	1/2 x 1 3/4"	2 - 225	0,82	
207	1 1/2"	AFC106G	1 1/2"	69,85	93	35,71	78	19	13,5	M 12x45	1/2 x 1 3/4"	2 - 225	0,82	
207	2"	AFC108G112	1 1/2"	77,77	102	42,88	90	19	13,5	M 12x45	1/2 x 1 3/4"	2 - 228	1,08	
207	2"	AFC108G	2"	77,77	102	42,88	90	19	13,5	M 12x45	1/2 x 1 3/4"	2 - 228	1,08	
172	2 1/2"	AFC110G200	2"	88,90	114	50,80	105	19	13,5	M 12x45	1/2 x 1 3/4"	2 - 275	1,40	
172	2 1/2"	AFC110G	2 1/2"	88,90	114	50,80	105	19	13,5	M 12x45	1/2 x 1 3/4"	2 - 275	1,40	
138	3"	AFC112G212	2 1/2"	106,38	134	61,93	124	23	17,5	M 16x50	5/8 x 2"	2 - 337	2,40	
138	3"	AFC112G	3"	106,38	134	61,93	124	23	17,5	M 16x50	5/8 x 2"	2 - 337	2,40	
34	3 1/2"	AFC114G300	3"	120,65	152	69,85	136	21	17,5	M 16x50	5/8 x 2"	2 - 241	2,80	
34	4"	AFC116G312	3 1/2"	130,18	162	77,77	146	24	17,5	M 16x50	5/8 x 2"	2 - 245	3,90	
34	3 1/2"	AFC114G	3 1/2"	120,65	152	69,85	136	21	17,5	M 16x50	5/8 x 2"	2 - 241	2,80	
34	4"	AFC116G	4"	130,18	162	77,77	146	24	17,5	M 16x50	5/8 x 2"	2 - 245	3,90	
<b>6000</b>														
414	3/4"	AFC402G012	1/2"	50,80	71	23,80	60	19	11	M 10x40	3/8 x 1 1/2"	2 - 214	0,42	
414	1"	AFC403G034	3/4"	57,15	81	27,76	70	23	13	M 12x45	7/16 x 1 3/4"	2 - 219	0,77	
414	1"	AFC403G	1"	57,15	81	27,76	70	23	13	M 12x45	7/16 x 1 3/4"	2 - 219	0,77	
414	1 1/4"	AFC404G100	1"	66,68	95	31,75	78	26	15*	M 14x45	1/2 x 1 3/4"	2 - 222	1,16	
414	1 1/4"	AFC404G	1 1/4"	66,68	95	31,75	78	26	15*	M 14x45	1/2 x 1 3/4"	2 - 222	1,16	
414	1 1/2"	AFC405G114	1 1/4"	79,38	112	36,5	94	29	17	M 16x50	5/8 x 2"	2 - 225	1,82	
414	1 1/2"	AFC405G	1 1/2"	79,38	112	36,50	94	29	17	M 16x50	5/8 x 2"	2 - 225	1,82	
414	2"	AFC406G112	1 1/2"	96,82	134	44,45	114	28	21	M 20x70	3/4 x 2 1/2"	2 - 228	2,57	
414	2"	AFC406G	2"	96,82	134	44,45	114	28	21	M 20x70	3/4 x 2 1/2"	2 - 228	2,57	
414	2 1/2"	AFC507G(*)	2 1/2"	123,80	180	58,70	152	45	26	M 24x80	-	2 - 275	-	
414	3"	AFC508G(*)	3"	152,40	208	71,40	178	55	33	M 30x100	-	2 - 337	-	

\* = Para roscas UNC L= 13,5  
 (\*)= Sólo para ST52.3

### Código para ordenar

Material	ACERO ST52.3	INOXIDABLE AISI 316L
Brida	AFC...G	AFCX...G